



SPD3-3.5

0.9 m | 3 ft Standard Performance Parabolic Reflector Antenna, Dual-polarized, 3.3-3.8GHz



General Specifications

Antenna Type	Standard Performance Parabolic Reflector Antenna
Size, nominal	3 ft 0.9 m
Polarization	Dual
Standard RF Connector Type	N-Female
Standard RF Connector Suffix	NS (append suffix to model number)

Electrical Specifications

Operating Frequency Band	3.3 - 3.8 GHz
Half Power Beamwidth, Horizontal	8 degrees
Half Power Beamwidth, Vertical	8 degrees
Cross-Polarization Discrimination	30 dB
Front to Back Ratio (F/B)	34 dB
Gain, Low Frequency	27.3 dBi

Gain, Mid Frequency	27.7 dBi
Gain, High Frequency	28.1 dBi
VSWR	1.5:1
Return Loss	-14 dB

Mechanical Specifications

Fine Azimuth Adjustment	+/- 10 degrees	
Fine Elevation Adjustment	+/- 25 degrees	
Mounting Pipe Diameter, Mn	4.5 inch 11.4 cm	
Mounting Pipe Diameter, Max	4.5 inch 11.4 cm	
Net Weight	35 lbs 15.8 kg	43 lbs 19.4 Kg with RD radome
Wind Velocity Operational	90 mph 145 km/h	
Wind Velocity Survival Rating	125 mph 201 km/h	
Mechanical Configuration	SP3	
Axial Force (FA)	492 lbs 2189 N	271 lbs 1206 Nm with RD radome
Side Force (FS)	40 lbs 178 N	64 lbs 285 Nm with RD radome
Twisting Moment (MT)	545 ft-lbs 739 Nm	394 lbs 534 Nm with RD radome
Operating temperature range	-40 to +60 C	
Max pressure, psig, (if waveguide interface)	na	

Regulatory Compliance

FCC	undeclared
ETSI	undeclared
RoHS-complaint	Yes

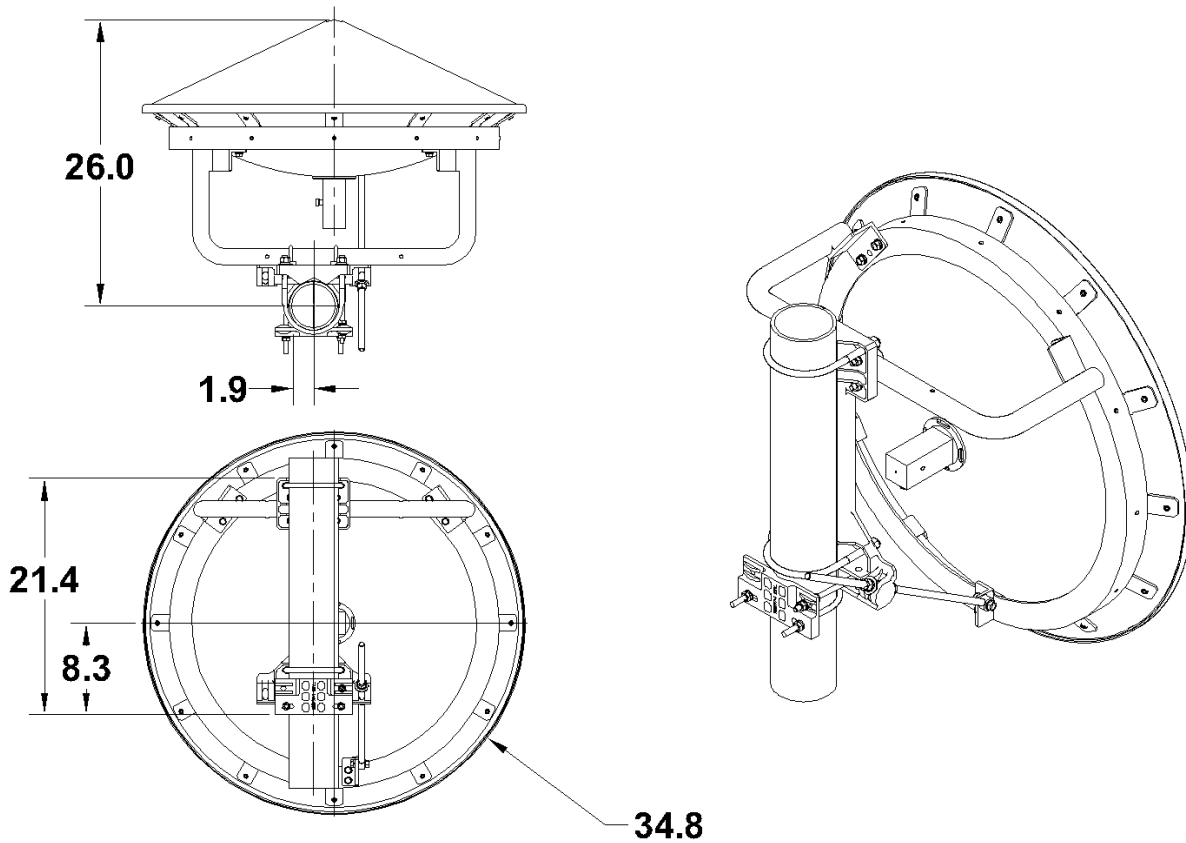
Shipping Information

Package Type	Wood Crate
Gross Weight	78 lbs 35.3 kg
Dimensions, L x W x H	40 x 17 x 44in 101 x 43 x 140 cm
Shipping Volume	17.31 cu ft 0.49 cu m

Additional Comments

Contact Radiowaves Sales for alternate rf interface options.

Technical Drawings



SP3